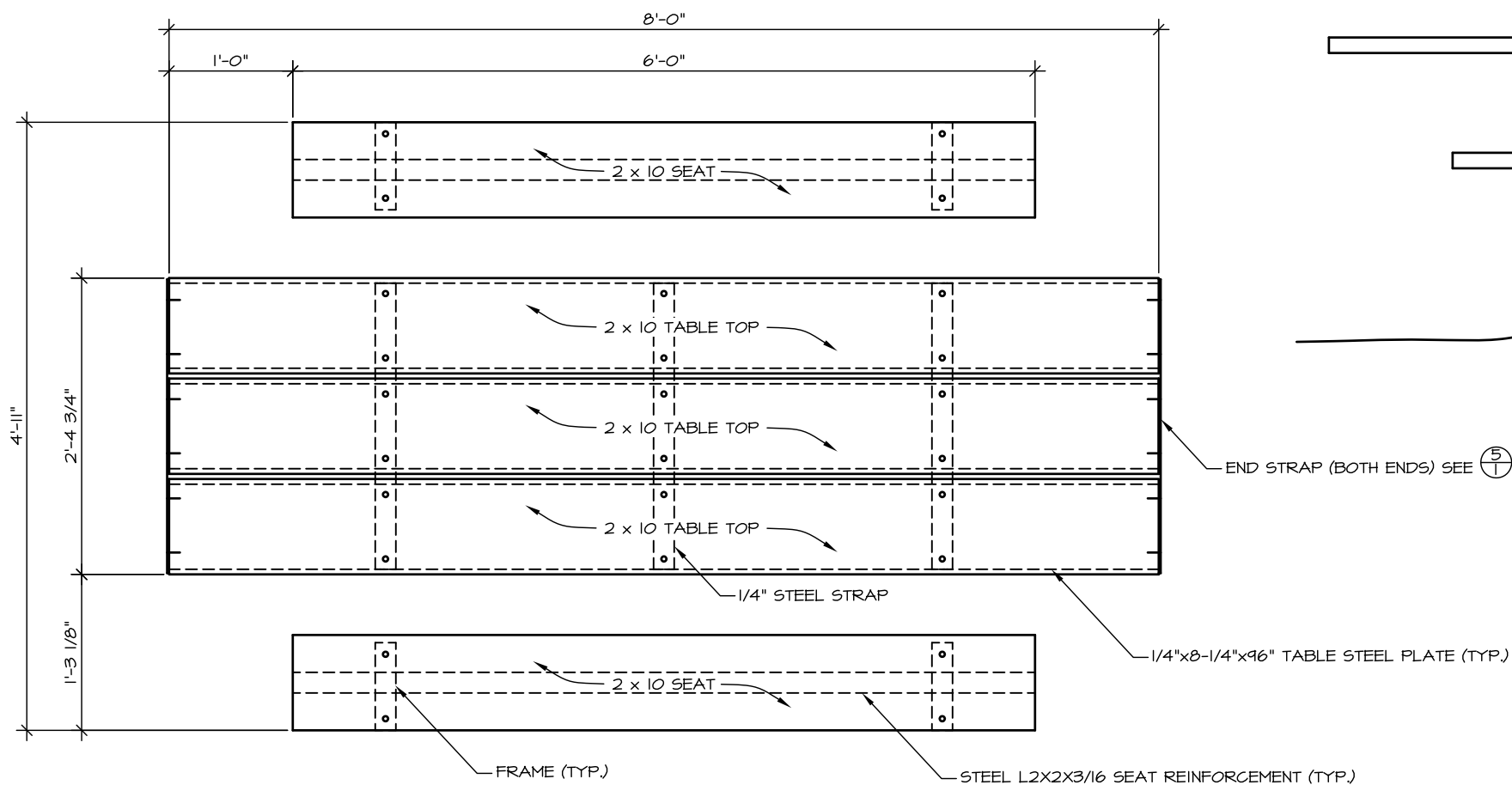


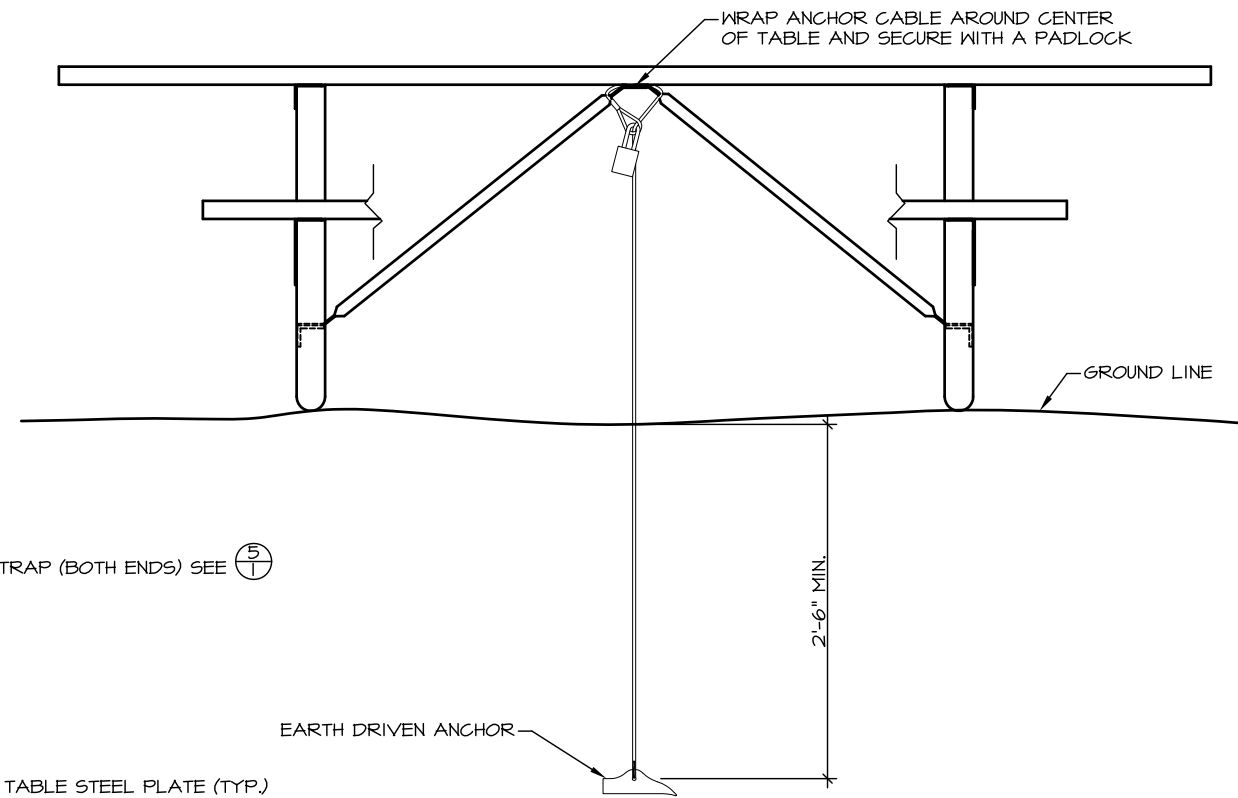


PREPARED: GLD  
 DRAWN: BD PN  
 REVIEWED: DH  
 DATE: JAN. 83

SHEET 1  
 C-1  
 OF 1 SHEETS



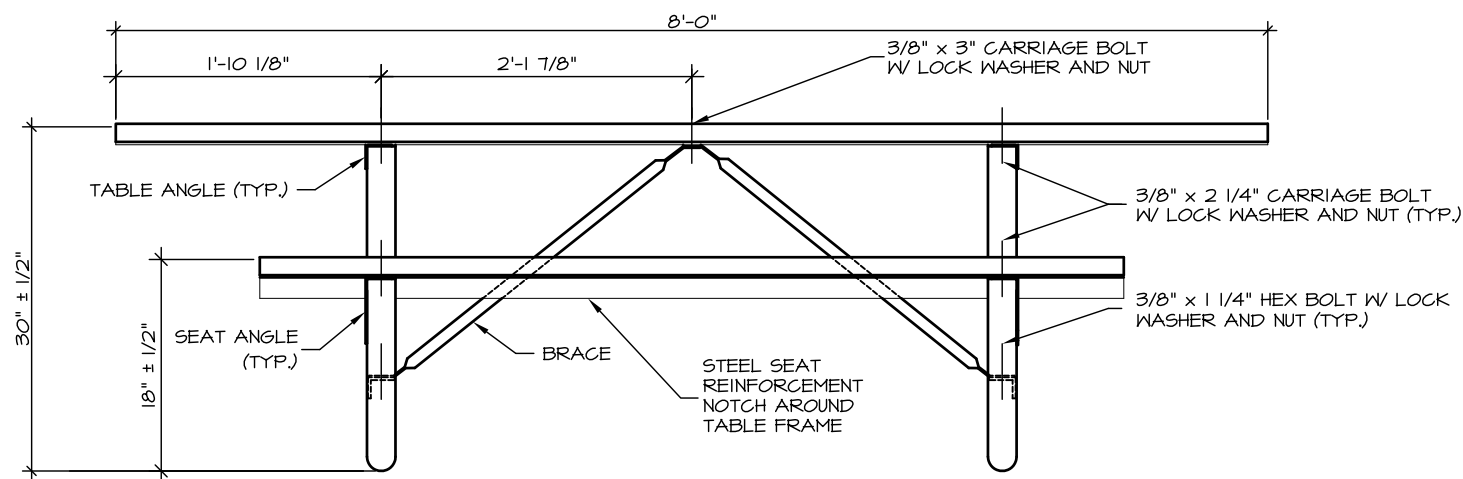
TOP VIEW



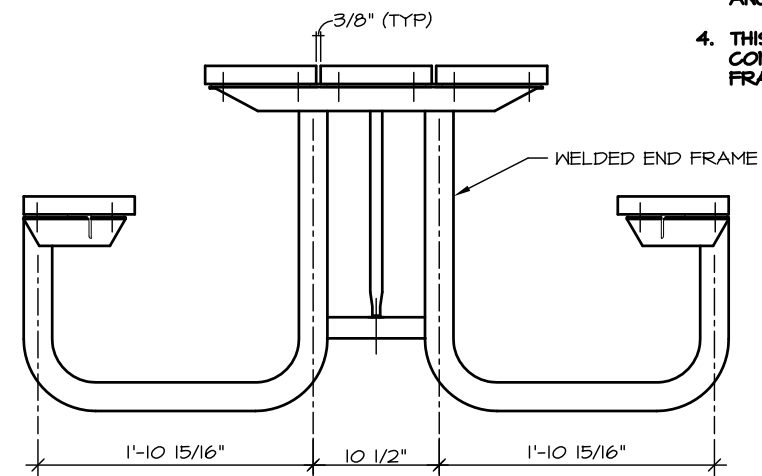
ANCHOR DETAIL

NOTES:

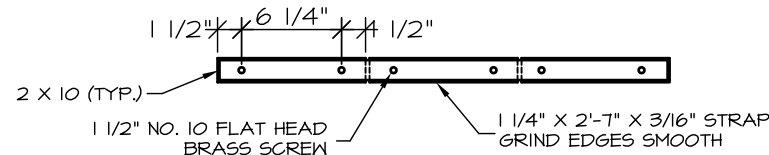
1. SEATS & TOP SHALL RECYCLED PLASTIC LUMBER.
2. BOLT HOLES FOR TABLE TOP, SEATS, & STEEL PLATES TO BE SHOP DRILLED.
3. SWAGED SLEEVED SHALL BE USED TO FASTEN ANCHOR CABLE.
4. THIS DRAWING ILLUSTRATES SEAT & TABLE TOP CONSTRUCTION. REFER TO SPECIAL PROVISIONS FRAME STYLES & MODELS.



SIDE VIEW



END VIEW



END STRAP

FOR INFORMATIONAL USE ONLY  
 Alaska State Parks

NO.	REVISION	DATE	APPROVED
20	CHANGED "STATE PARKS" LOGO	04/10	MPS
19	CHANGED ANCHOR TO EARTH DRIVEN ANCHOR	04/10	MPS
18	ADDED EARTH ANCHOR AS AN ANCHOR OPTION	06/09	MPS
17	CHANGED TABLE TOP & SEAT MATERIAL	06/09	MPS
16	ADDED STEEL REINFORCING PLATE & ANGLE IRON	06/09	MPS
15	CHANGED TITLE BLOCK	12/07	MPS
14	CHANGED TABLE TOP AND SEAT MATERIAL	10/05	MPS
13	MODIFIED FRAME SIZE	10/05	MPS
12	REPLACED STAMP	3/04	MPS