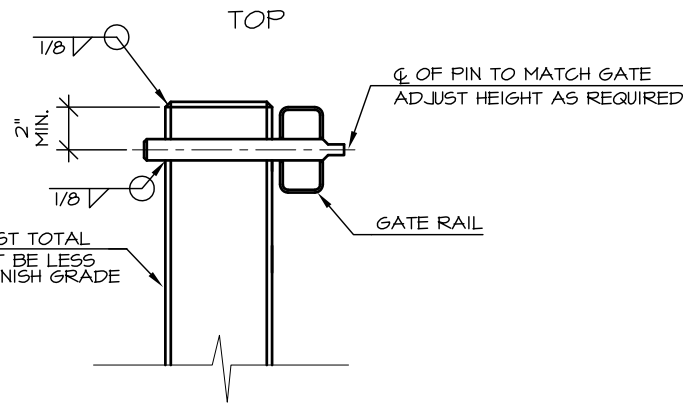
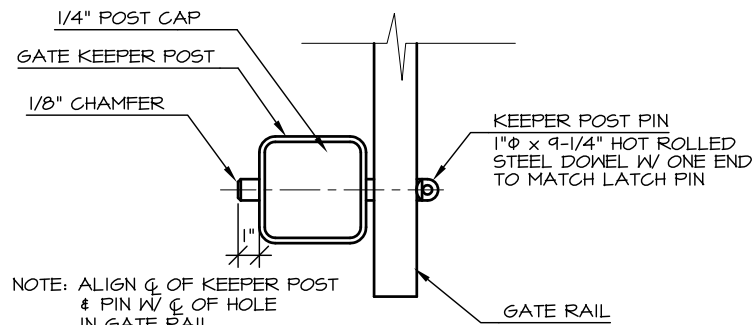
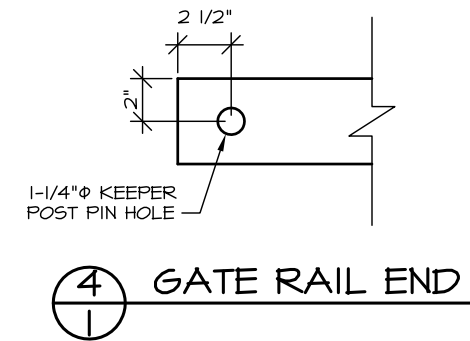


NOTE: FASTEN PLATES WITH 4 - 3/4" x 2" STEEL BOLTS WITH FLAT WASHERS, LOCK WASHERS, AND NUTS

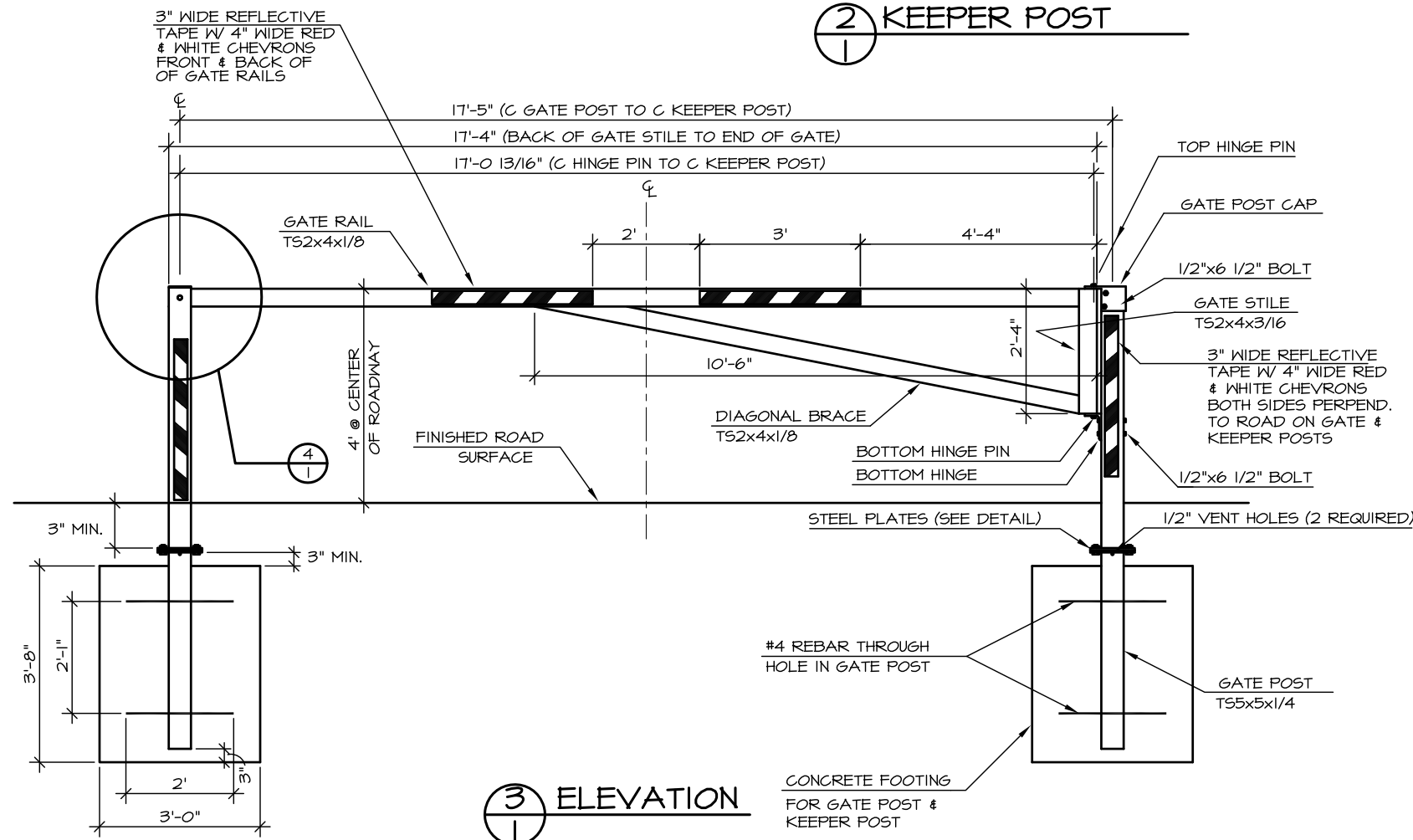
④ STEEL PLATE (TYP.)



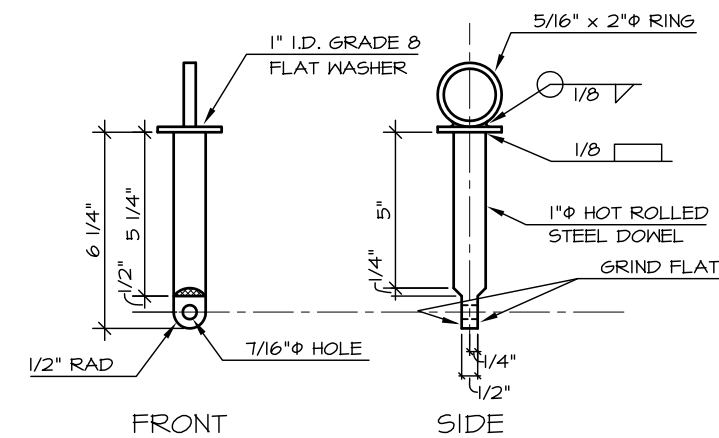
② KEEPER POST



④ GATE RAIL END



③ ELEVATION



⑤ LATCH PIN DETAIL

FOR INFORMATIONAL USE ONLY
Alaska State Parks

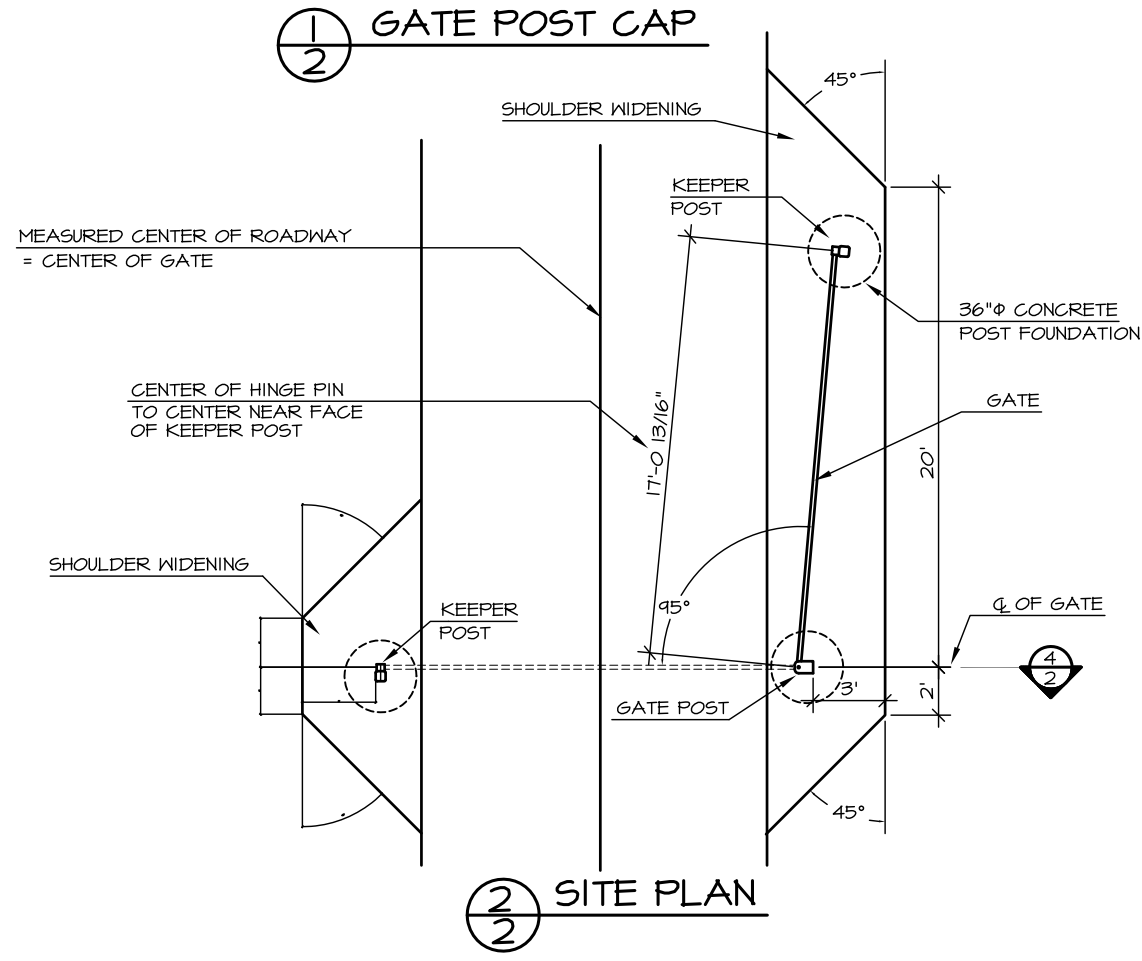
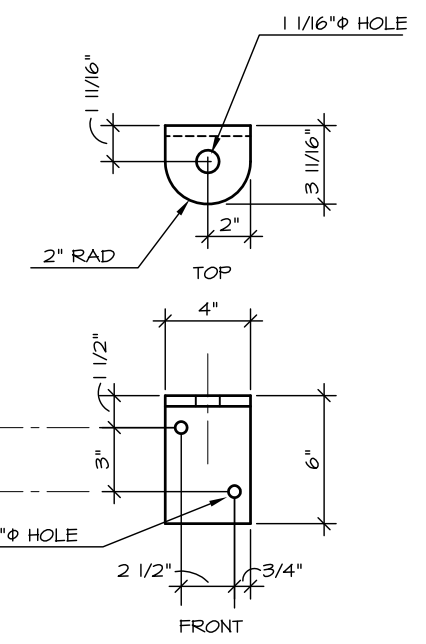
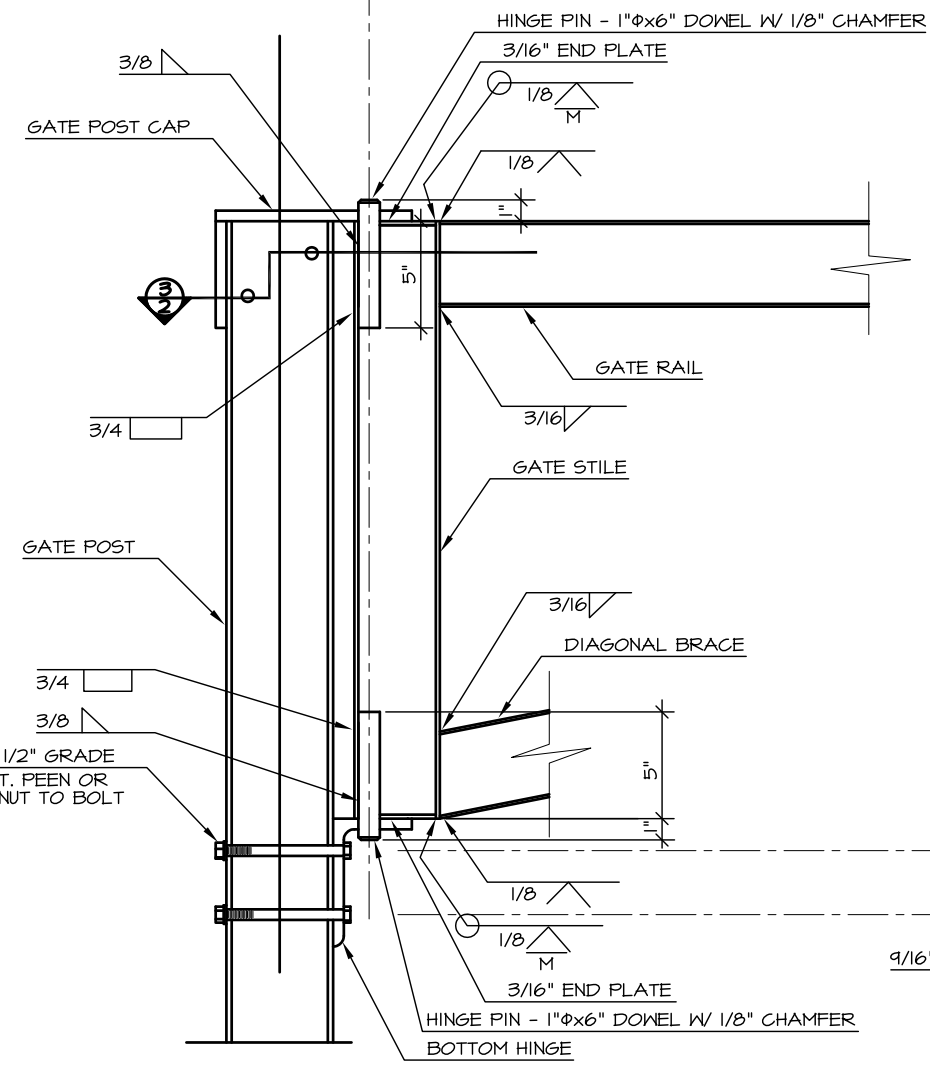
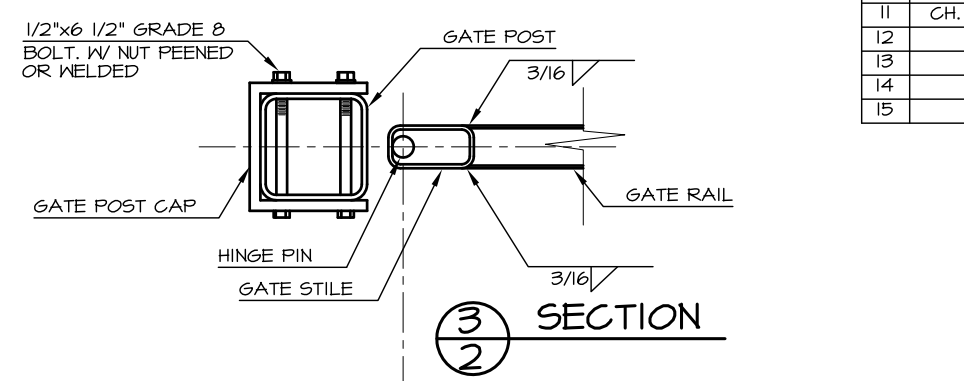
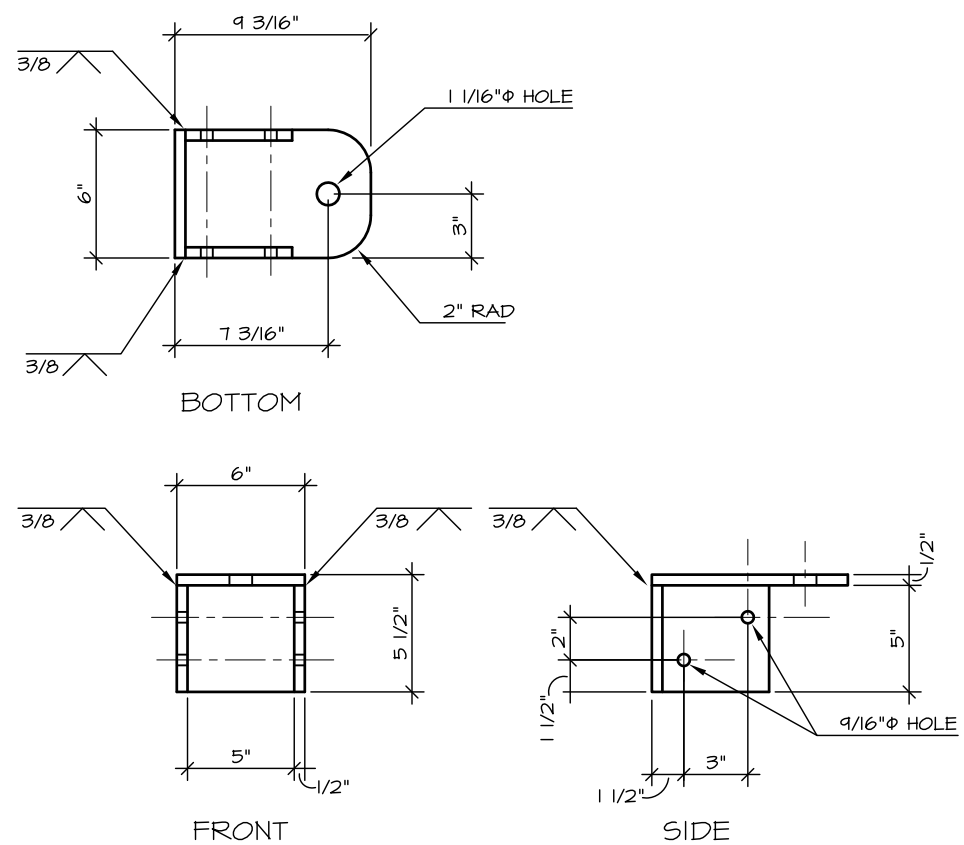
NO.	REVISION	DATE	APPROVED
17	CHANGED STATE PARK LOGO	04/10	MP5
18	ADDED LATCH PIN DETAIL	04/10	MP5
17	CHANGED TITLE BLOCK	12/07	MP5
16	RESIZED KEEPER PIN HOLE	12/04	MP5
15	ADDED HORIZONTAL FOOTING REBAR / REMOVED VERTICLE REBAR	12/04	MP5
14	REDESIGNED KEEPER POST CONNECTION	12/04	MP5
13	REPLACED STAMP	3/04	MP5
12	REPLACED STAMP/CORRECTED DIMENSION	3/02	DH

PREPARED:
DRAWN: RK
REVIEWED: DH TY
DATE: 10/14/05

SHEET 1
G-1
OF 2 SHEETS



NO.	REVISION	DATE	APPROVED
10	REDESIGN & REDRAW	2/98	DH
11	CH. DIST FROM GATE PIN TO C KEEPER POST	4/98	DH
12	REPLACED STAMP	3/02	DH
13	REPLACED STAMP	3/04	MP5
14	CHANGED TITLE BLOCK	12/07	MP5
15	CHANGED STATE PARK LOGO	04/10	MP5



FOR INFORMATIONAL USE ONLY
Alaska State Parks

STATE OF ALASKA DEPARTMENT OF NATURAL RESOURCES

SINGLE GATE

DESIGN & CONSTRUCTION SECTION



PREPARED:
DRAWN: RK
REVIEWED: DH TY
DATE: 10/14/05

SHEET 2
G-1
OF 2 SHEETS