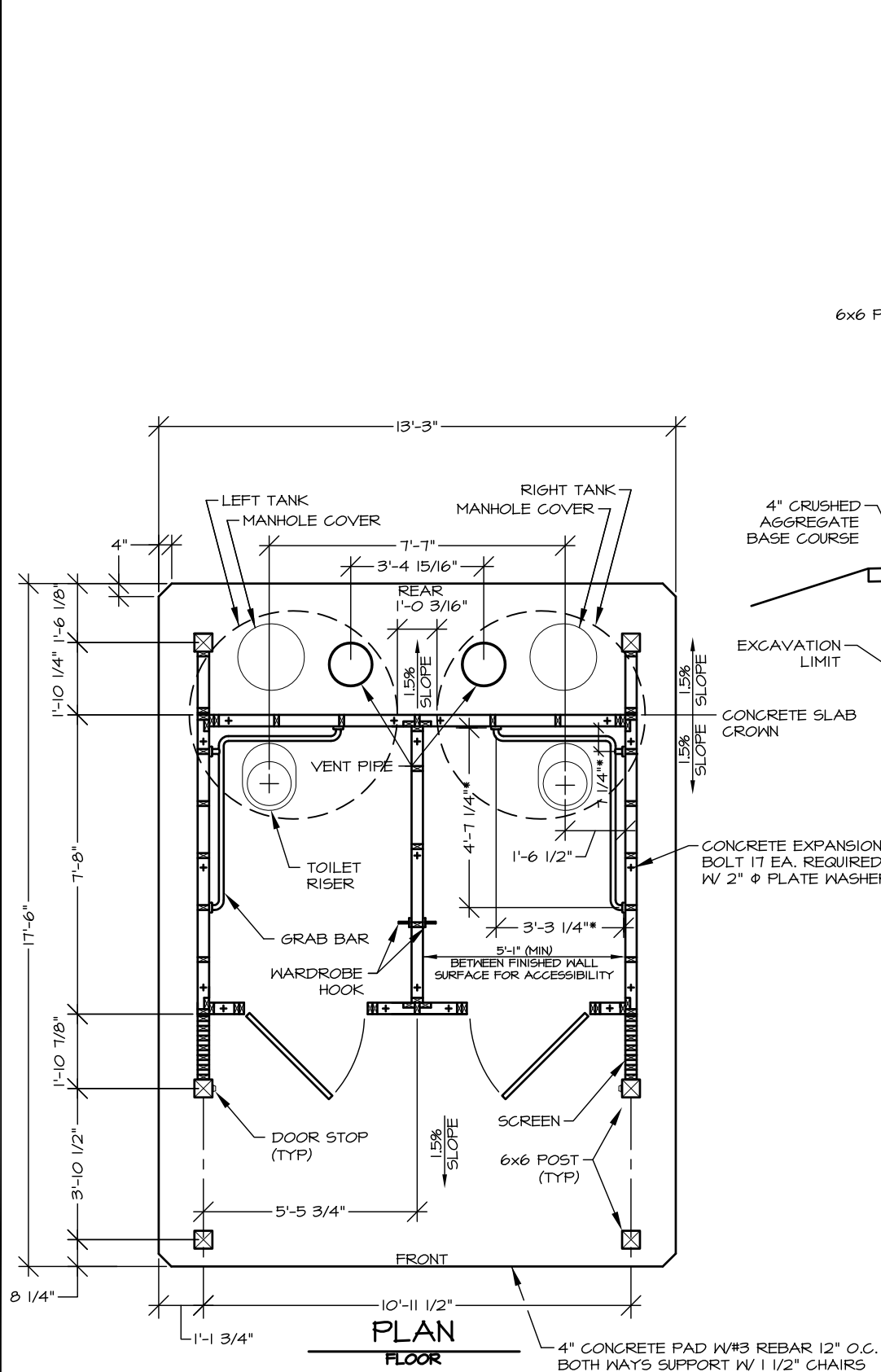




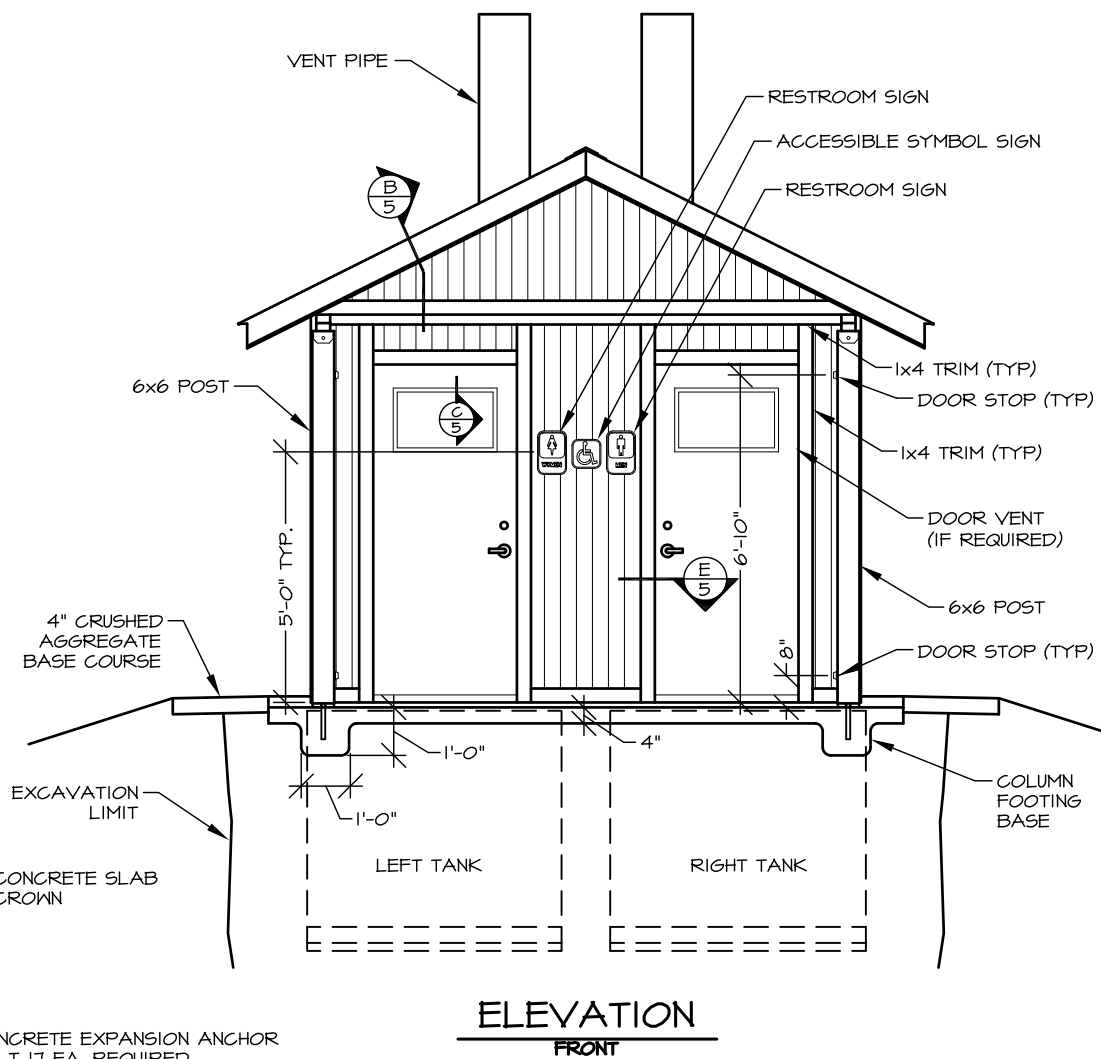
PREPARED: ME  
 DRAWN: ME  
 REVIEWED: DH  
 DATE: APR 2001

SHEET 1

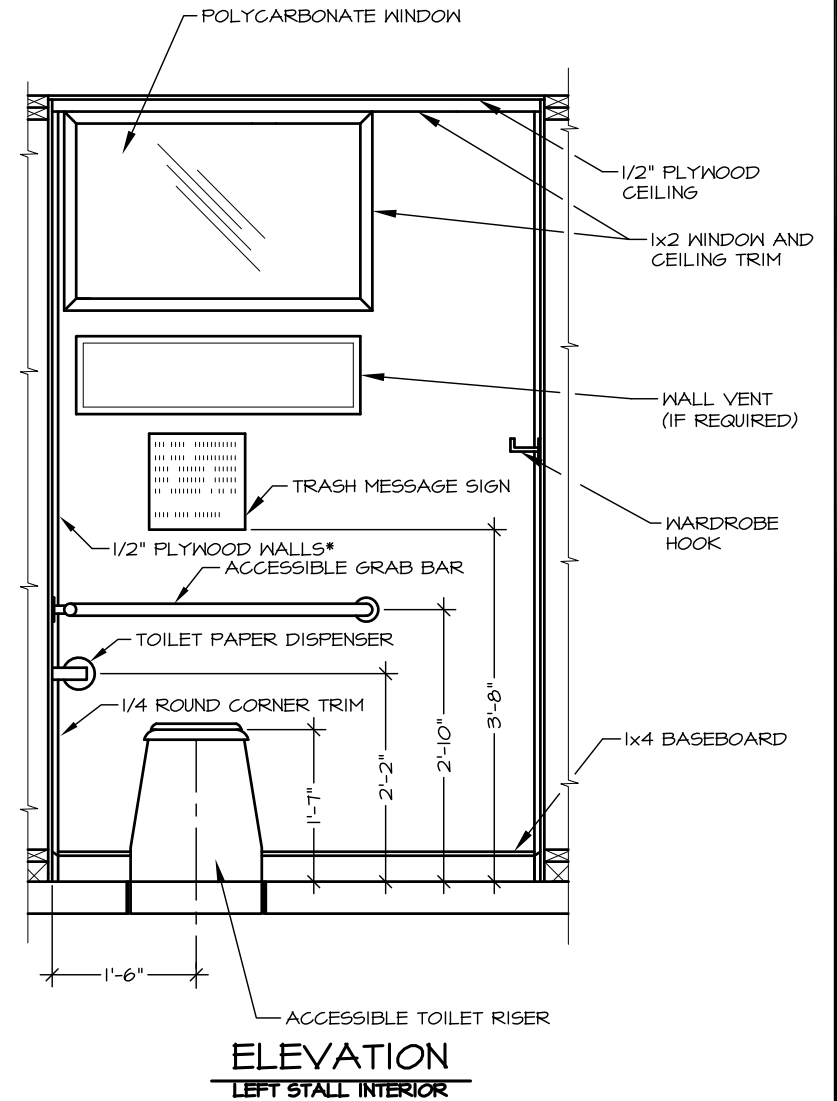
R-7  
 OF 5 SHEETS



**FLOOR PLAN NOTES:**  
 - BUILDING DIMENSION ARE TO FACE OF STUD  
 - PLYWOOD AND TI-II NOT SHOWN  
 \* GRAB BAR DIMENSIONS ARE TO FACE OF PLYWOOD  
 - ELEVATION CHANGES BETWEEN CROWN OF SLAB AND EDGE OF SLAB ARE AS FOLLOWS:  
 - CROWN TO FRONT = 2 9/16"  
 - CROWN TO BACK = 5/8"



**FRONT ELEVATION NOTES:**  
 SEE SPECIAL PROVISIONS FOR SPECIFIED LATCH/DEADBOLT, RESTROOM SIGN TYPE AND DOOR/WALL VENT LOCATION



**INTERIOR ELEVATION NOTES:**  
 \* INSIDE OF FRONT WALL IS 5/8" PLYWOOD  
 - RIGHT STALL IS MIRROR VIEW

FOR INFORMATIONAL USE ONLY  
 Alaska State Parks

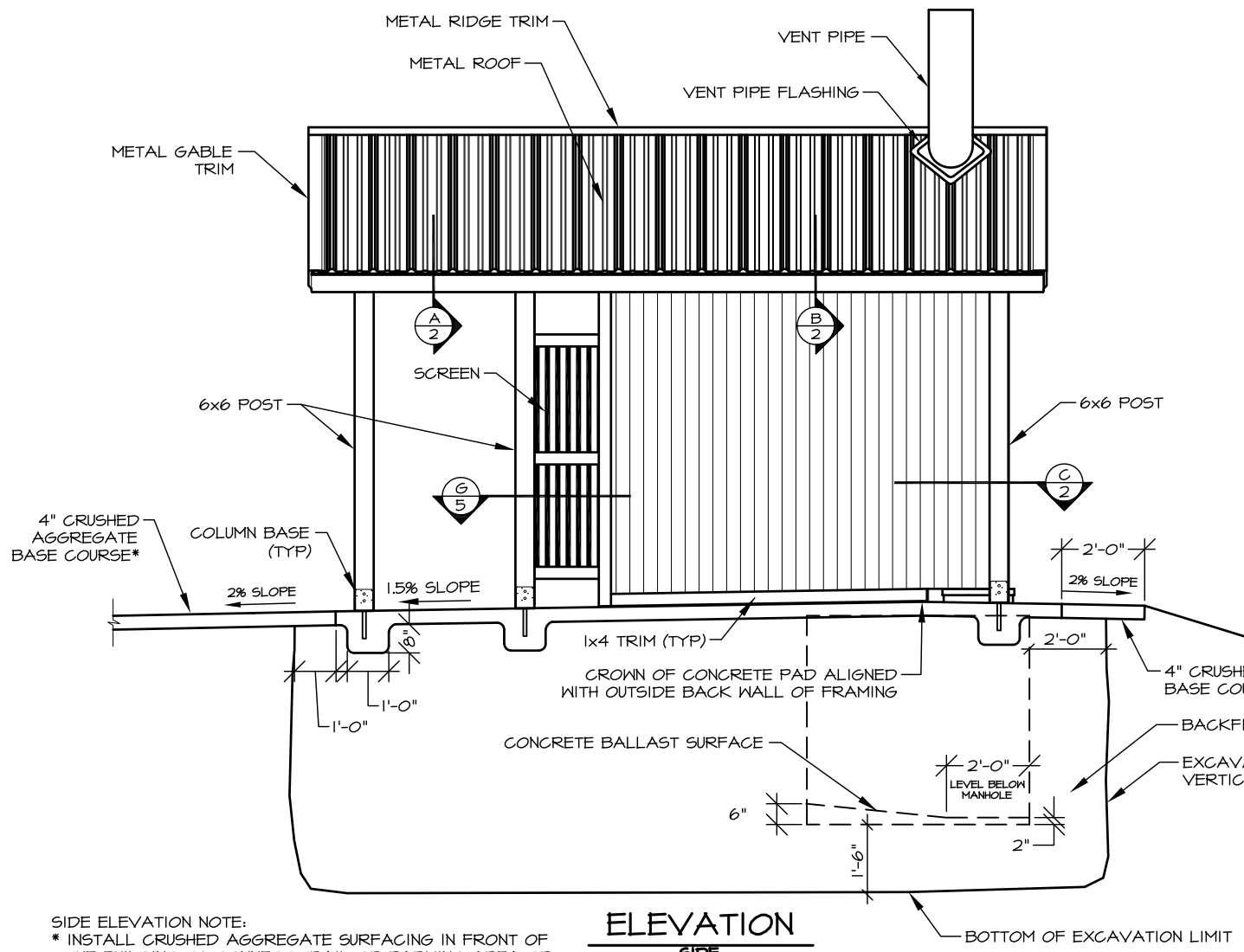
NO.	REVISION	DATE	APPROVED
5	CHANGED STATE PARK LOGO	04/10	MPS
4	CHANGED TITLE BLOCK	12/07	MPS
3	CHANGED COLUMN BASES	12/04	MPS
2	REPLACED STAMP	3/04	MPS
1	CHANGED TANK & TRIM	9/02	DH
	MAJOR REDESIGN OF VAULTED TOILET	4/27/01	DH



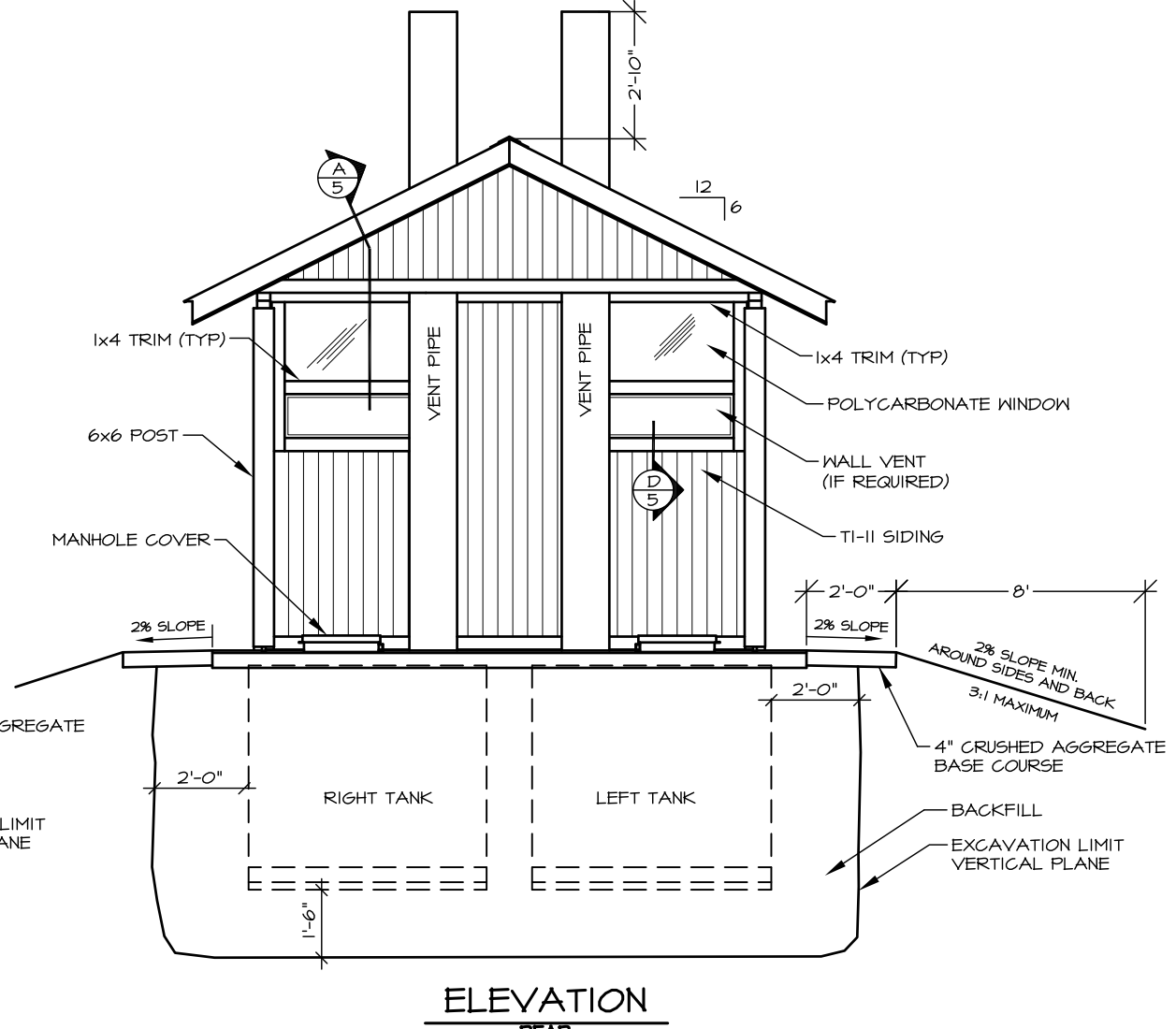
PREPARED: WE  
 DRAWN: WE  
 REVIEWED: DH  
 DATE: APR 2001

SHEET 2

R-7  
 OF 5 SHEETS

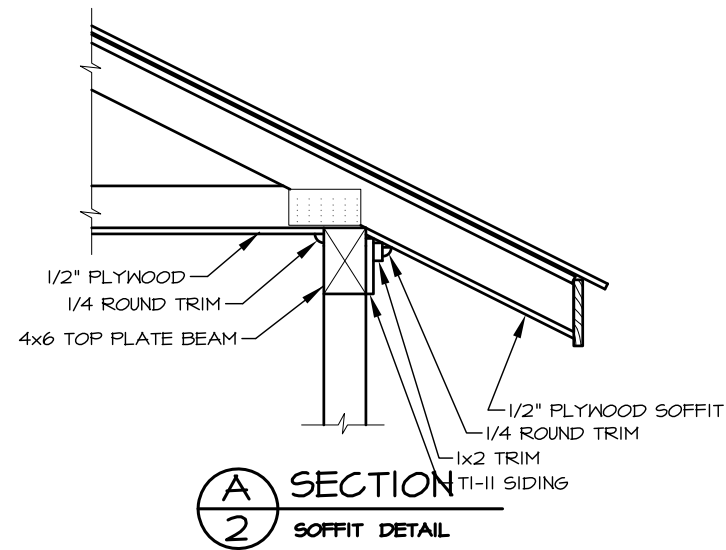


ELEVATION  
 SIDE

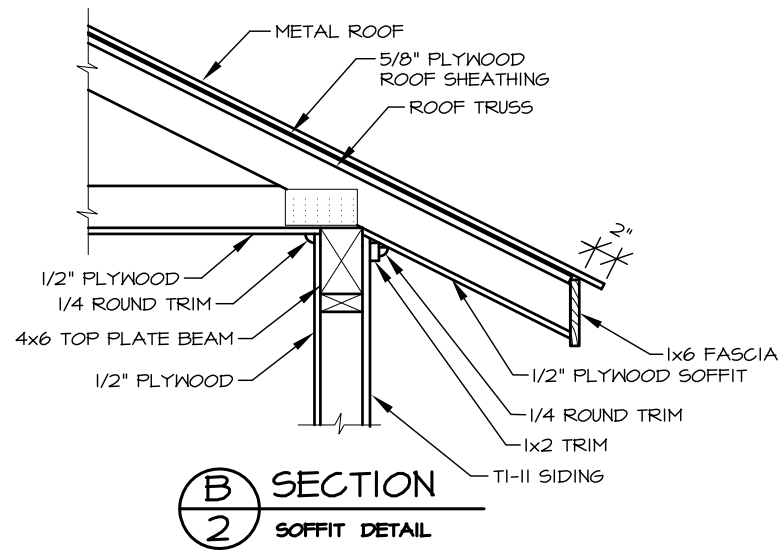


ELEVATION  
 REAR

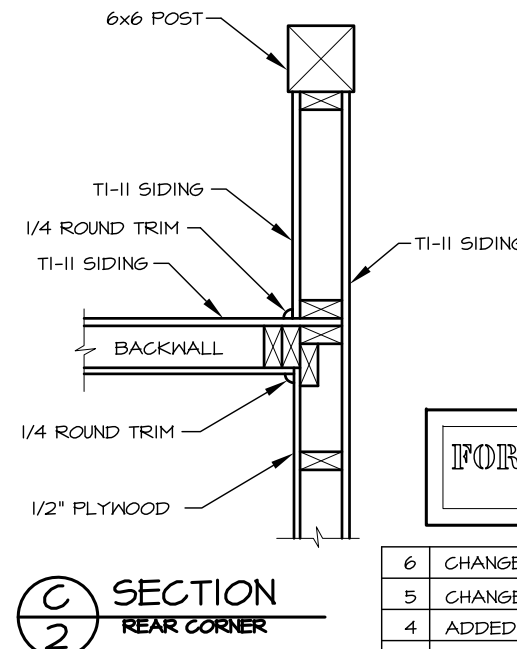
SIDE ELEVATION NOTE:  
 \* INSTALL CRUSHED AGGREGATE SURFACING IN FRONT OF THE BUILDING TO CONNECT TRAIL OR PARKING AREA OR AS DETAILED OTHERWISE IN THE PLANS



A SECTION  
 2 SOFFIT DETAIL



B SECTION  
 2 SOFFIT DETAIL



C SECTION  
 2 REAR CORNER

FOR INFORMATIONAL USE ONLY  
 Alaska State Parks

NO.	REVISION	DATE	APPROVED
6	CHANGED STATE PARK LOGO	04/10	MPS
5	CHANGED TITLE BLOCK	12/07	MPS
4	ADDED STRIP OF TI-II TO A/2	12/04	MPS
3	CHANGED COLUMN BASES	12/04	MPS
2	REPLACED STAMP	3/04	MPS
1	CHANGED TANK & TRIM	9/02	DH
	MAJOR REDESIGN OF VAULTED TOILET	4/21/01	DH

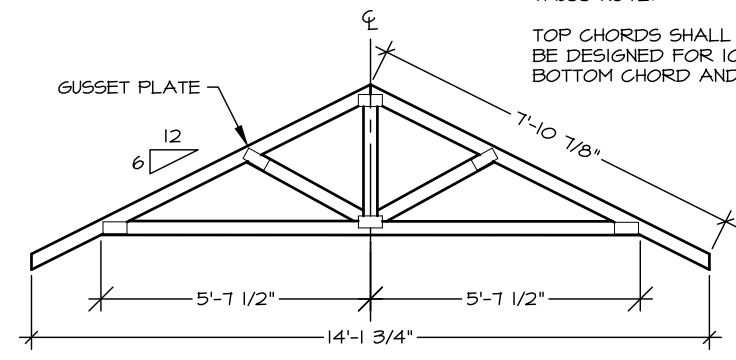


PREPARED: ME  
 DRAWN: ME  
 REVIEWED: DH  
 DATE: APR 2001

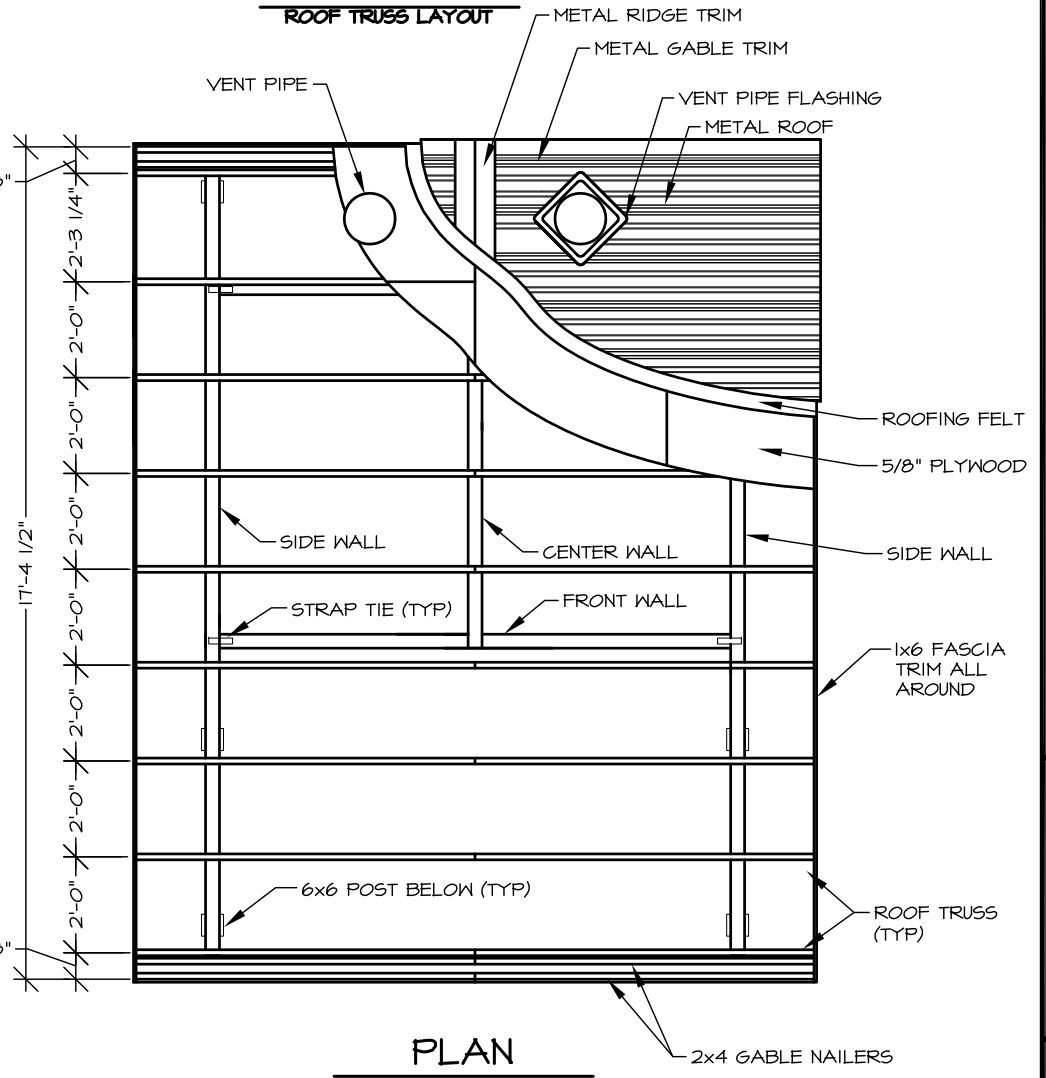
SHEET 3

R-7  
 OF 5 SHEETS

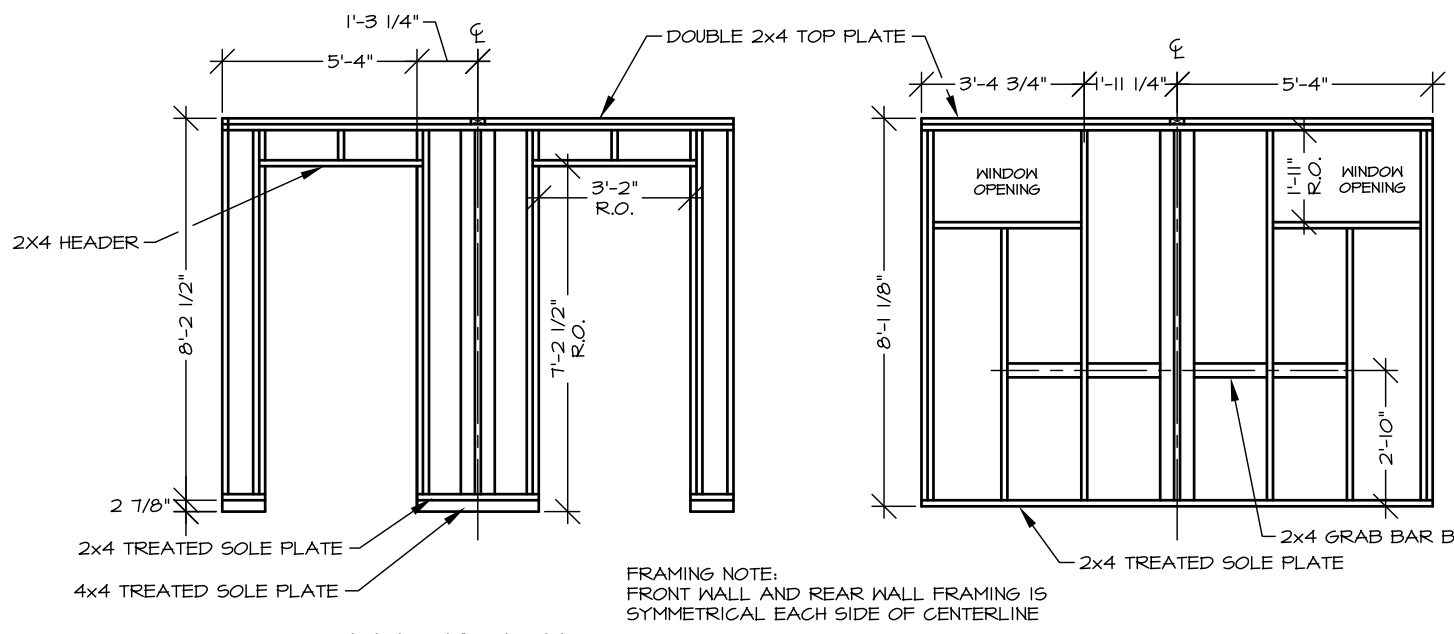
TRUSS NOTE:  
 TOP CHORDS SHALL BE 2x4's. TRUSS SHALL  
 BE DESIGNED FOR 100 LB./S.F. LOAD WITH  
 BOTTOM CHORD AND BRIDGING AS REQUIRED



ELEVATION  
 ROOF TRUSS LAYOUT



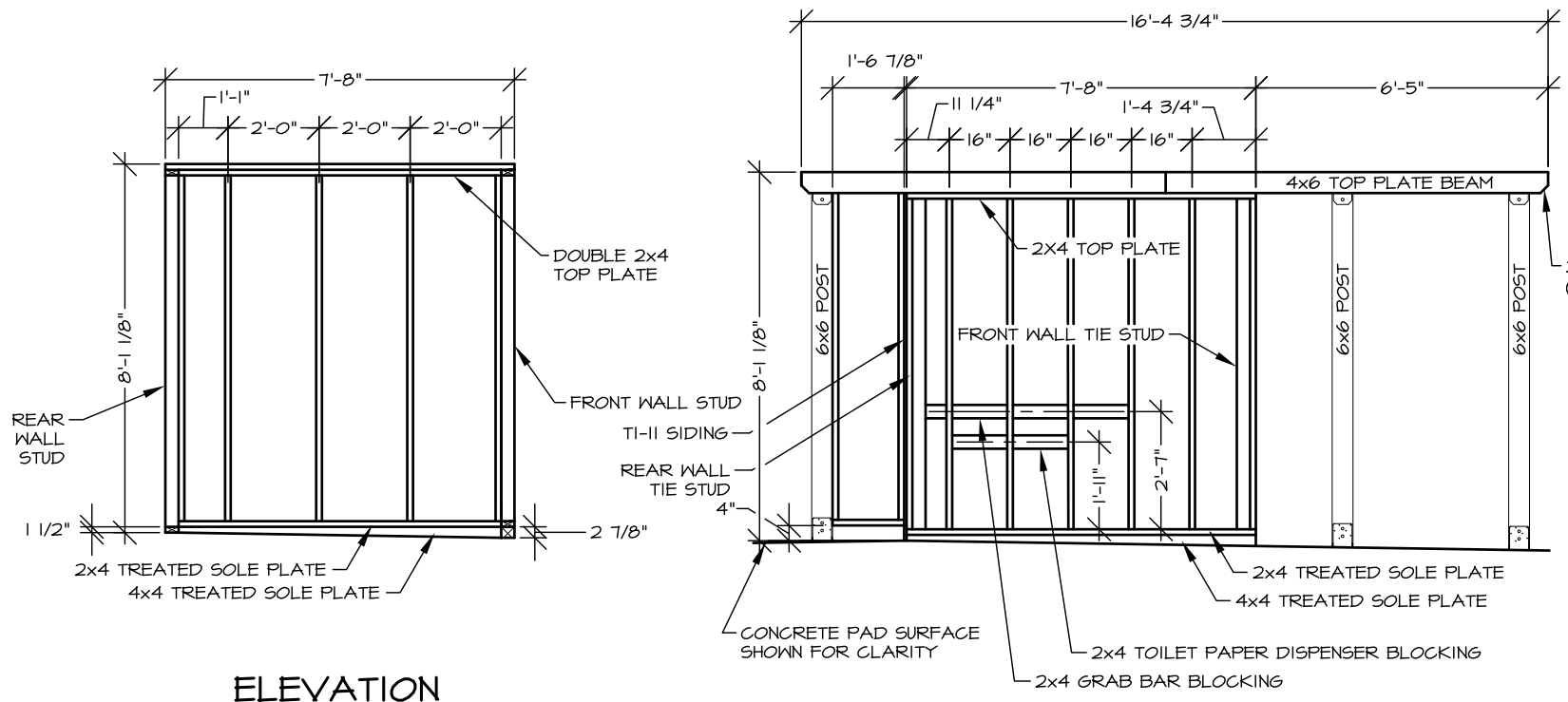
PLAN  
 ROOF LAYOUT



ELEVATION  
 FRONT WALL

ELEVATION  
 REAR WALL

FRAMING NOTE:  
 FRONT WALL AND REAR WALL FRAMING IS  
 SYMMETRICAL EACH SIDE OF CENTERLINE



ELEVATION  
 CENTER WALL

ELEVATION  
 SIDE WALL

FOR INFORMATIONAL USE ONLY  
 Alaska State Parks

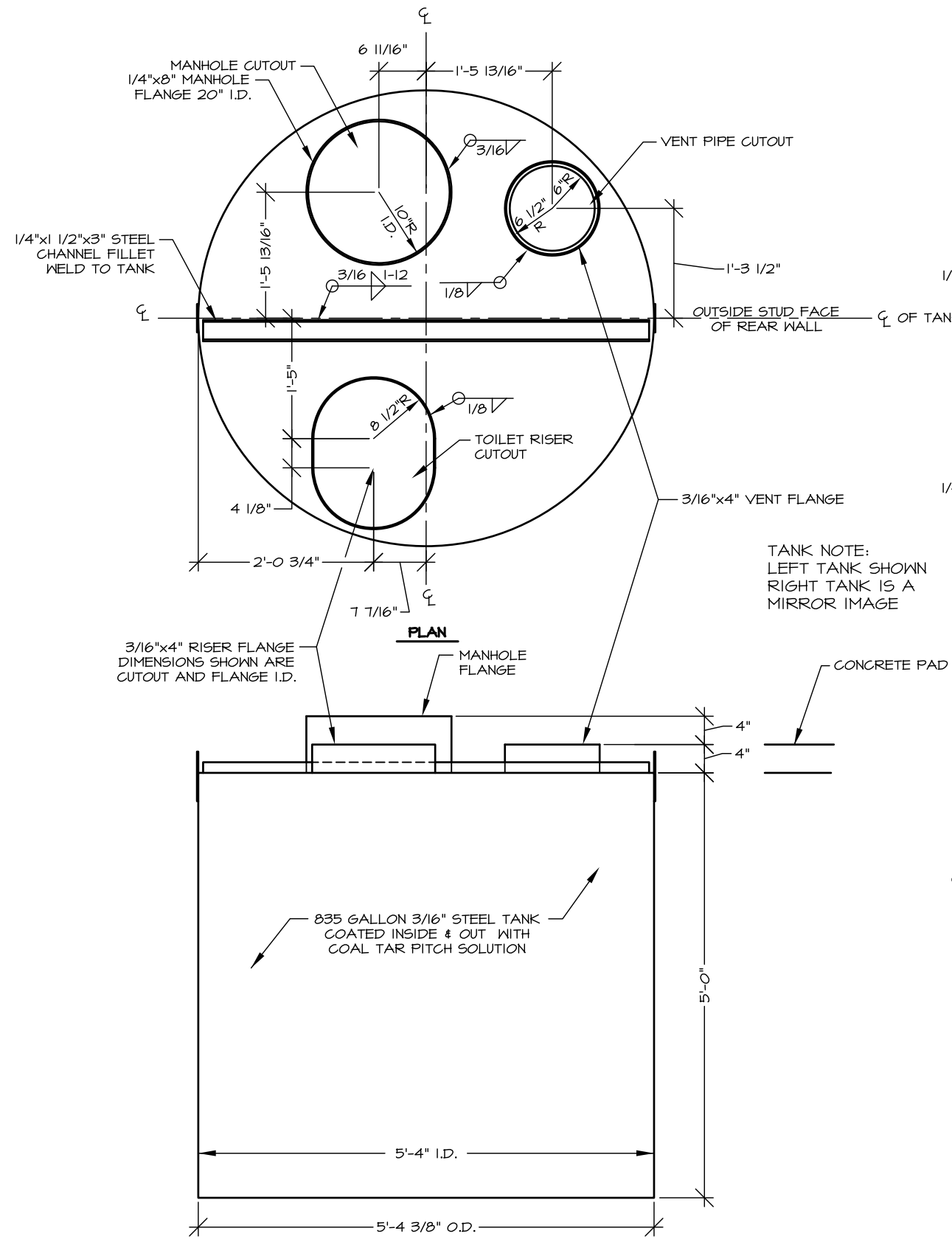
NO.	REVISION	DATE	APPROVED
5	CHANGED STATE PARK LOGO	04/10	MPS
4	CHANGED TITLE BLOCK	12/07	MPS
3	CHANGED COLUMN BASES	12/04	MPS
2	REPLACED STAMP	3/04	MPS
1	CHANGED TANK & TRIM	9/02	DH
	MAJOR REDESIGN OF VAULTED TOILET	4/21/01	DH



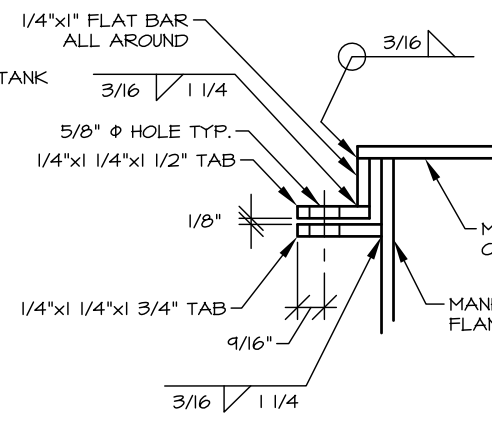
PREPARED: WE  
 DRAWN: WE  
 REVIEWED: DH  
 DATE: APR 2001

SHEET 4

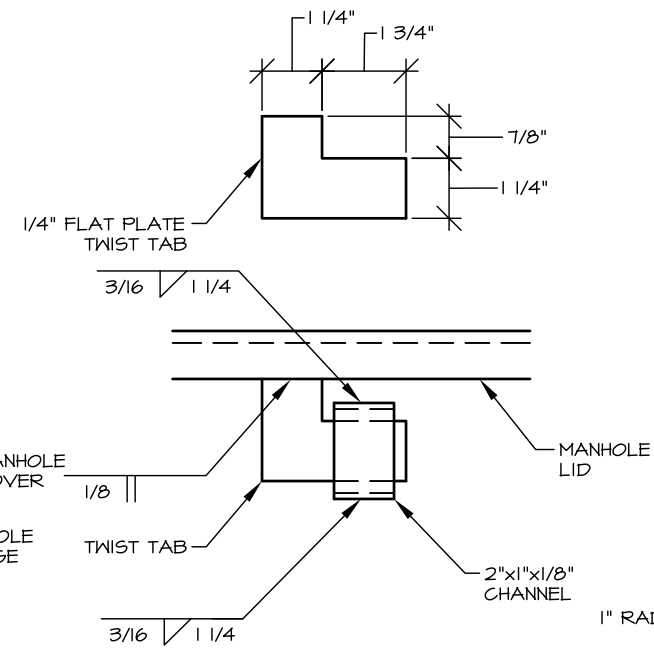
R-7  
 OF 5 SHEETS



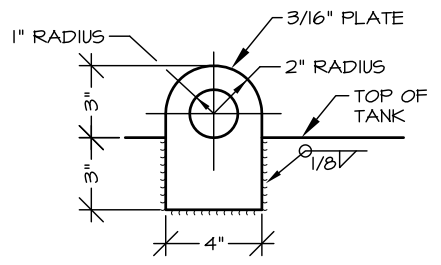
TANK NOTE:  
 LEFT TANK SHOWN  
 RIGHT TANK IS A  
 MIRROR IMAGE



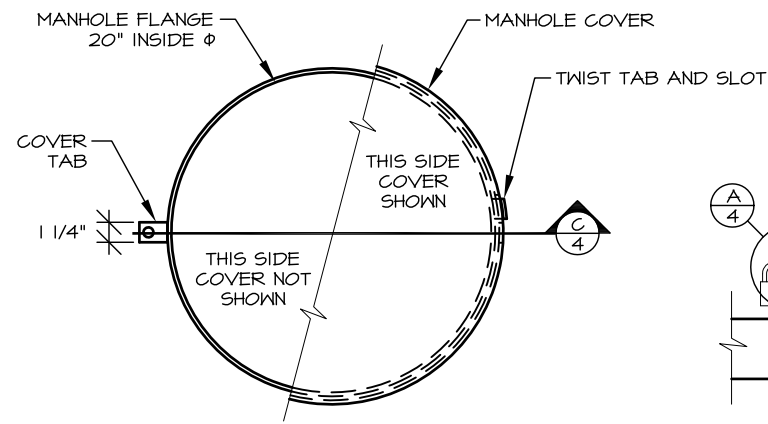
**A** DETAIL  
 4 MANHOLE TAB



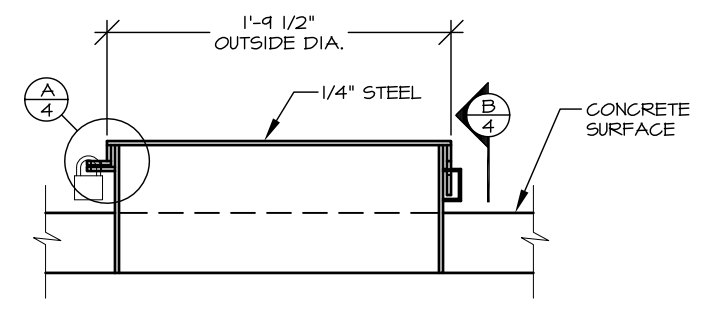
**B** DETAIL  
 4 TWIST TAB AND SLOT



DETAIL  
 LIFTING EYE



PLAN  
 MANHOLE COVER

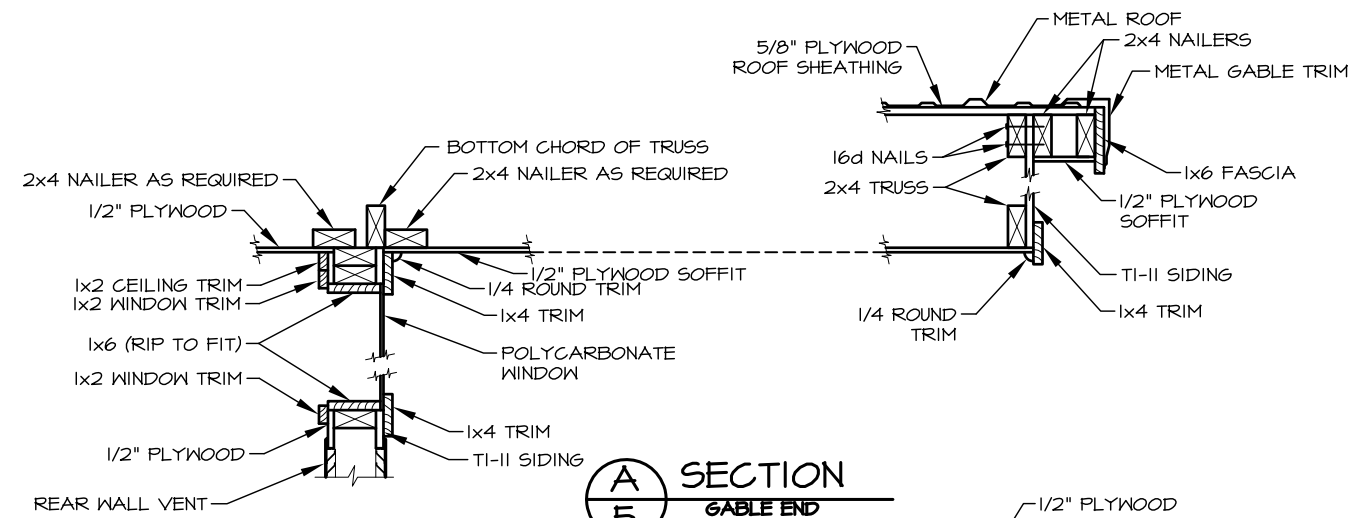


**C** SECTION  
 4 MANHOLE COVER

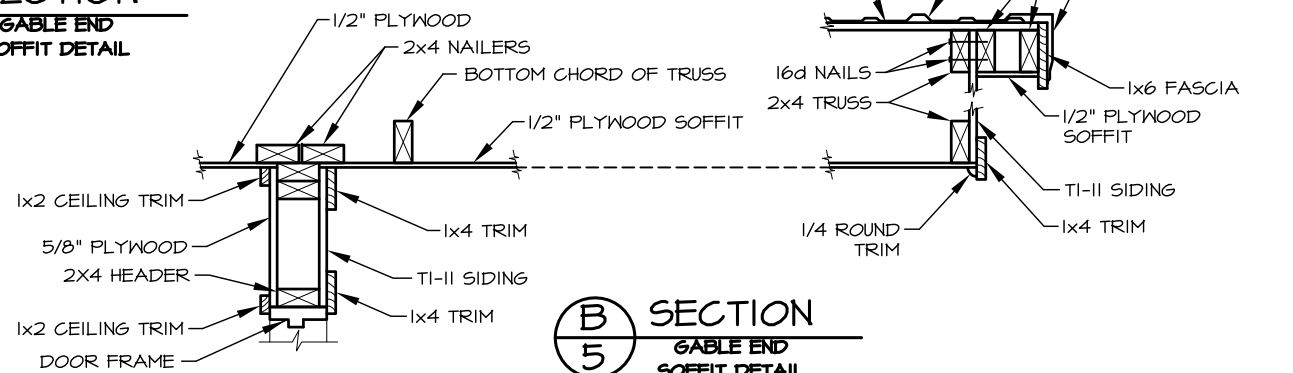
**STEEL VAULT TANK**

FOR INFORMATIONAL USE ONLY  
 Alaska State Parks

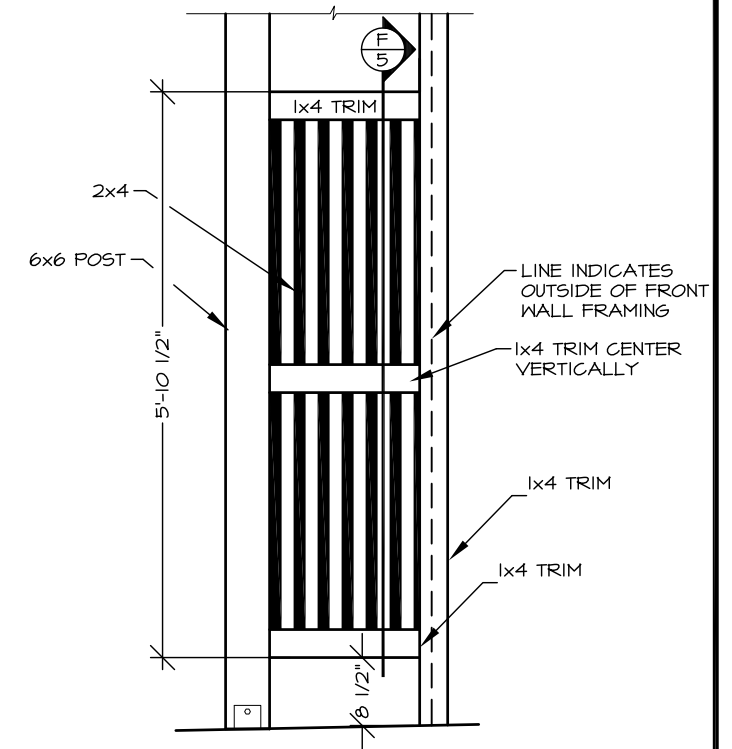
NO.	REVISION	DATE	APPROVED
4	CHANGED STATE PARK LOGO	04/10	MPS
3	CHANGED TITLE BLOCK	12/07	MPS
2	REPLACED STAMP	3/04	MPS
1	CHANGED TANK & TRIM	9/02	DH
	MAJOR REDESIGN OF VAULTED TOILET	4/27/01	DH



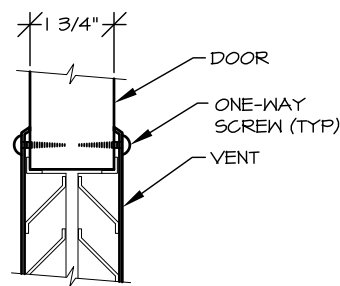
**A**  
SECTION  
5  
GABLE END  
SOFFIT DETAIL



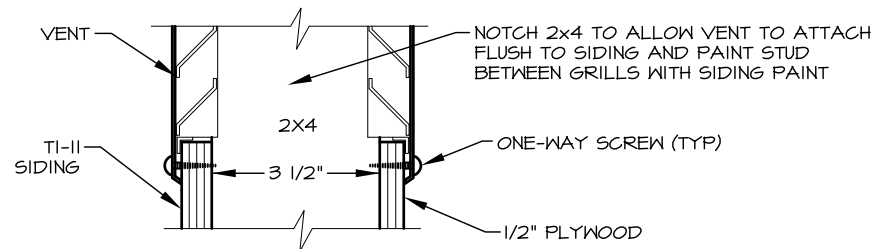
**B**  
SECTION  
5  
GABLE END  
SOFFIT DETAIL



ELEVATION  
SCREEN

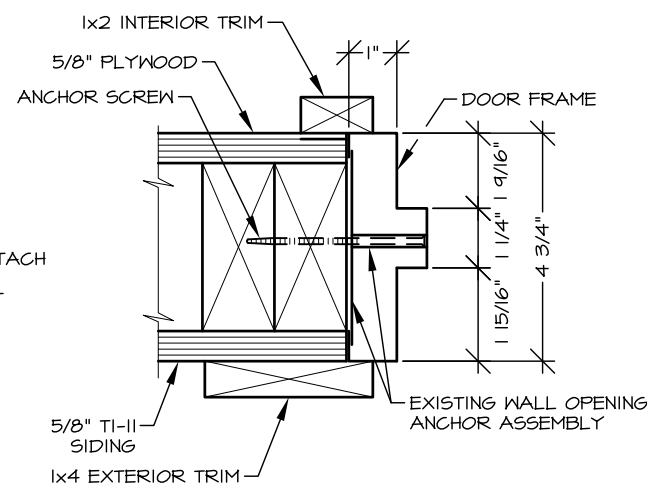


**C**  
SECTION  
5  
DOOR VENT



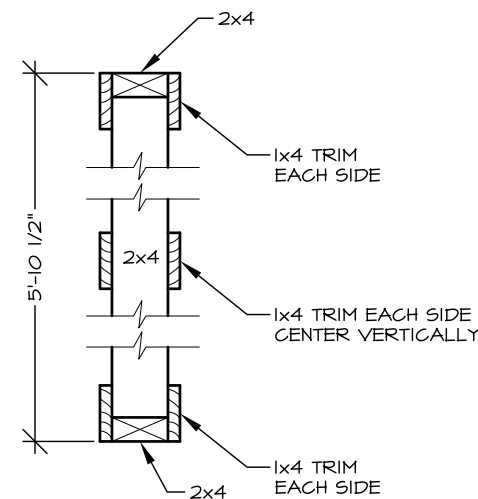
**D**  
SECTION  
5  
WALL VENT

VENT NOTE:  
VENTS WILL BE EITHER DOOR OR WALL TYPE  
AS DETAILED IN SPECIAL PROVISIONS

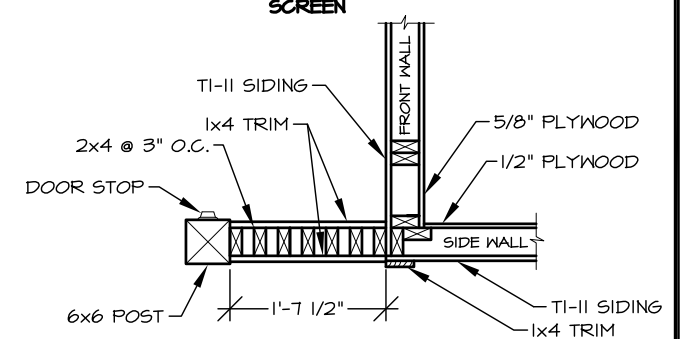


**E**  
SECTION  
5  
DOOR FRAME

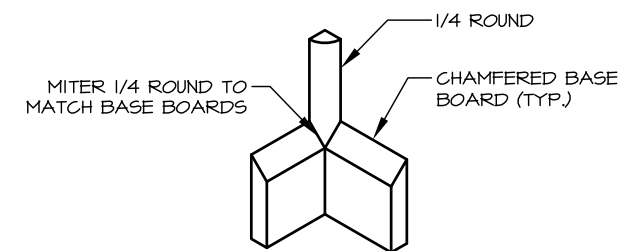
DOOR FRAME NOTE:  
INTERIOR PLYWOOD AND EXTERIOR SIDING MUST BE  
INSTALLED FLUSH TO THE TO THE 2x4 ROUGH OPENING  
TO PROVIDE EVEN SUPPORT FOR THE DOOR FRAME.



**F**  
SECTION  
5  
SCREEN



**G**  
SECTION  
5  
SCREEN



**H**  
SECTION  
5  
INTERIOR CORNER TRIM

FOR INFORMATIONAL USE ONLY  
Alaska State Parks

NO.	REVISION	DATE	APPROVED
5	CHANGED STATE PARK LOGO	04/10	MPS
4	CHANGED TITLE BLOCK	12/07	MPS
3	ADDED DETAIL H/5	12/04	MPS
2	REPLACED STAMP	3/04	MPS
1	CHANGED TANK & TRIM	9/02	DH
	MAJOR REDESIGN OF VAULTED TOILET	4/27/01	DH



PREPARED: WE  
DRAWN: WE  
REVIEWED: DH  
DATE: APR 2001

SHEET 5  
R-7  
OF 5 SHEETS