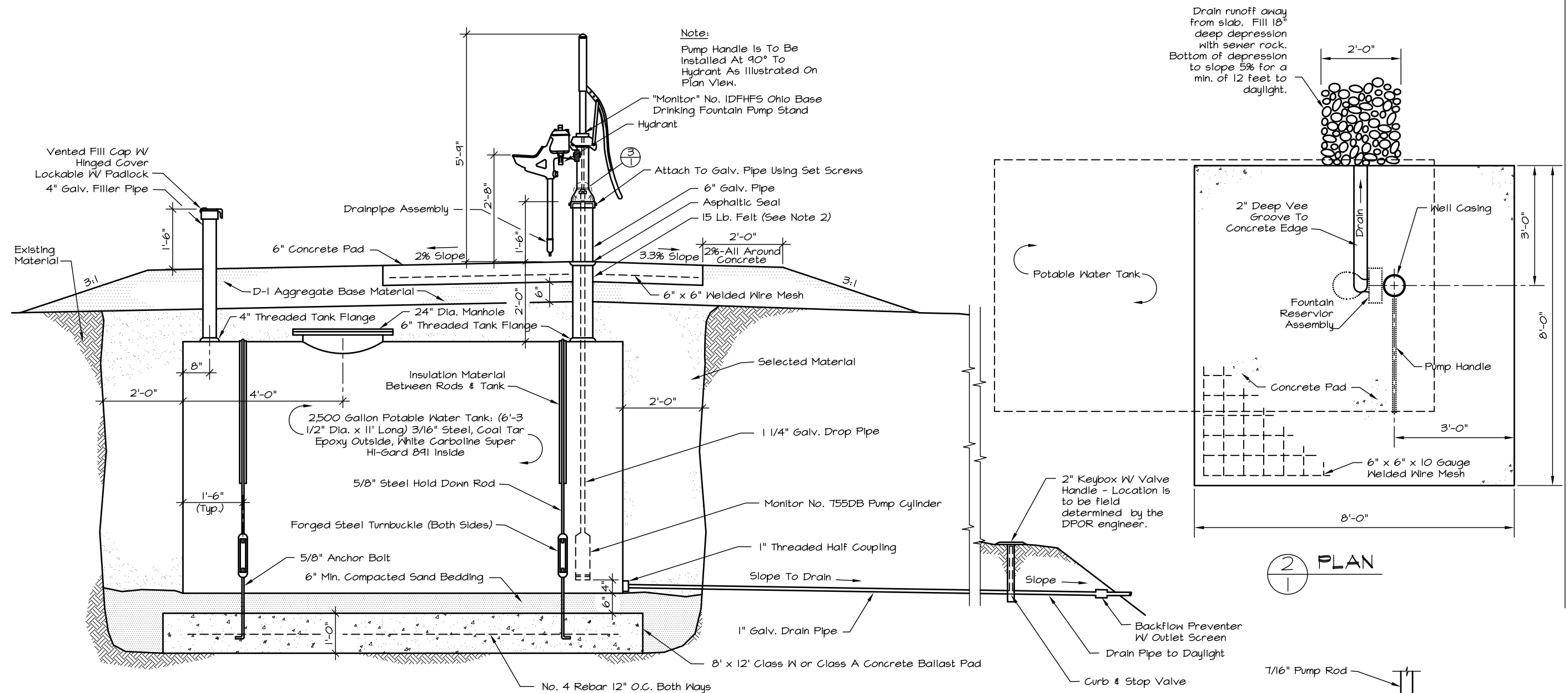




PREPARED: TY DH
 DRAWN: P. Nuech.
 REVIEWED: DH
 DATE: OCT. 92

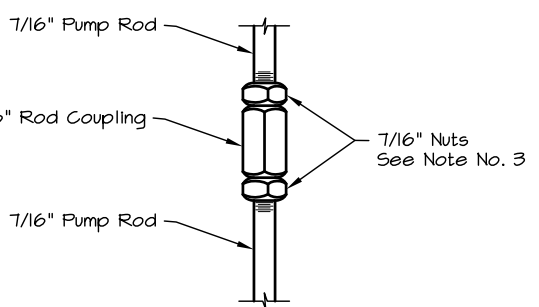
SHEET 1
 U-1B
 OF 1 SHEETS



Note:
 Pump Handle Is To Be Installed At 90° To Hydrant As Illustrated On Plan View.

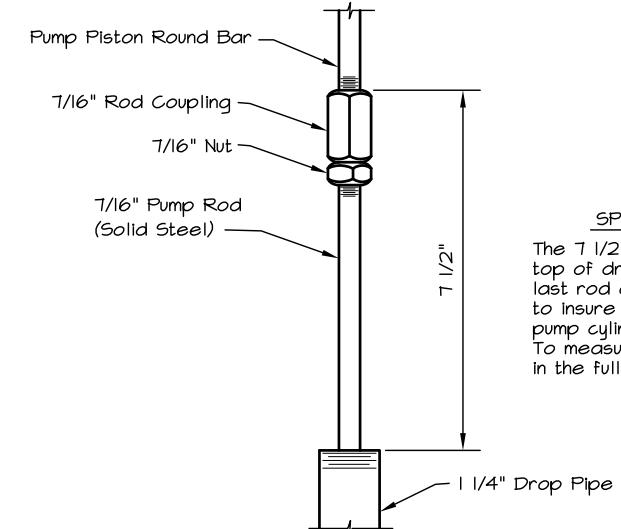
Drain runoff away from slab. Fill 18" deep depression with sewer rock. Bottom of depression to slope 5% for a min. of 12 feet to daylight.

2 PLAN



4 ROD COUPLING DETAIL

ELEVATION



3 PUMP PISTON CONNECTION

GENERAL NOTES

- 6" Galv. pipe above ground line is to be wrapped with 15 lb. roofing felt before pouring pump slab.
- 7/16" Die may be required to cut additional threads on pump rod to allow for two lock nuts as shown in rod coupling detail.
- All components of pump cylinder are to be securely tightened in the field.
- Perimeter of concrete pad is uniform elevation. Slope concrete from perimeter up 1/8" inches to well casing.
- Monitor well products are manufactured by Baker Manufacturing Co., Evansville, WI, Phone (608) 882-510
- All water system materials that come into contact with potable water shall be in compliance with National Sanitation Foundation or equivalent agency standards.
- Only lead free pipe, solder, and flux shall be used in construction of the water supply system.
- Orientation of the concrete pad and the water tank in respect to the concrete pad are to be determined in the field by the DPOR project engineer.
- Anchor hydrant drain pipe assembly in concrete per manufacturer's recommendations.
- Concrete pad shall receive a light broom finish.

FOR INFORMATIONAL USE ONLY
 Alaska State Parks

NO.	REVISION	DATE	APPROVED
9	REMOVED SCALES	12/10	MPS
8	ADDED SLOPES ON CONCRETE PAD	12/10	MPS
7	ADDED CONCRETE FINISH NOTE	12/10	MPS
6	UPDATED STATE PARK LOGO	12/10	MPS
5	REPLACED STAMP	3/04	MPS
4	REPLACED STAMP	3/02	D. Hagg.